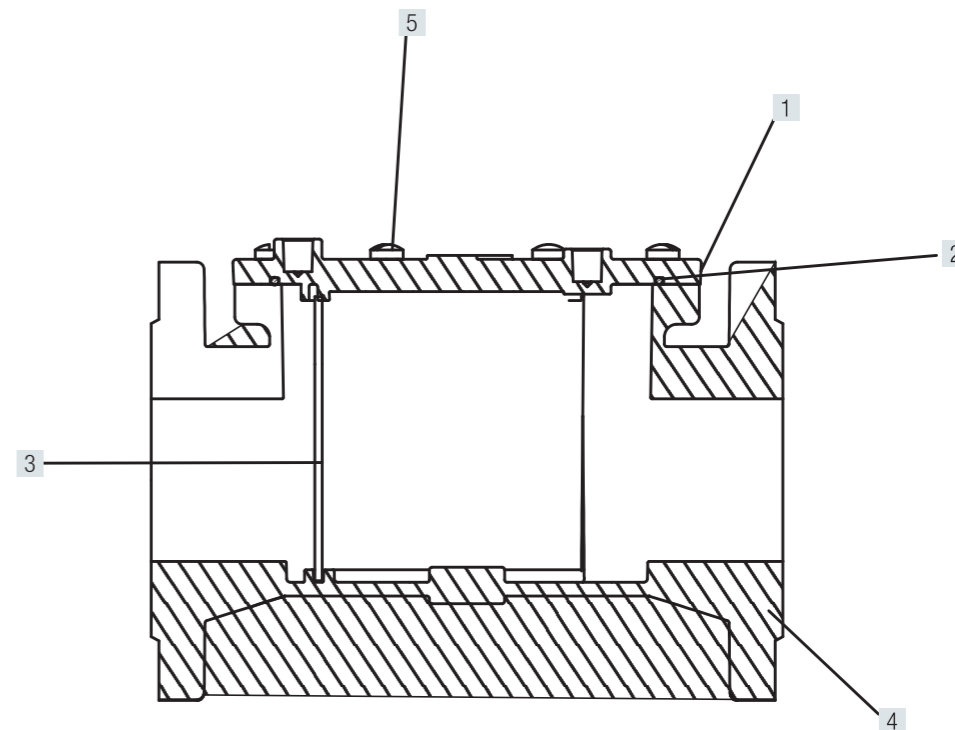


GAS FILTER DN65 – DN80 – DN100 – Pmax 6 bar



- 1 Test point connection
- 2 Seal O ring
- 3 Filter cartridge
- 4 Body
- 5 Cover

Code	Description	Dimension	Pmax
GFD65	Gas filter	DN65	6 bar
GFD80	Gas filter	DN80	6 bar
GFD100	Gas filter	DN100	6 bar

GFD65-TPIO	Gas filter with test point in/out	DN65	6 bar
GFD80-TPIO	Gas filter with test point in/out	DN80	6 bar
GFD100-TPIO	Gas filter with test point in/out	DN100	6 bar

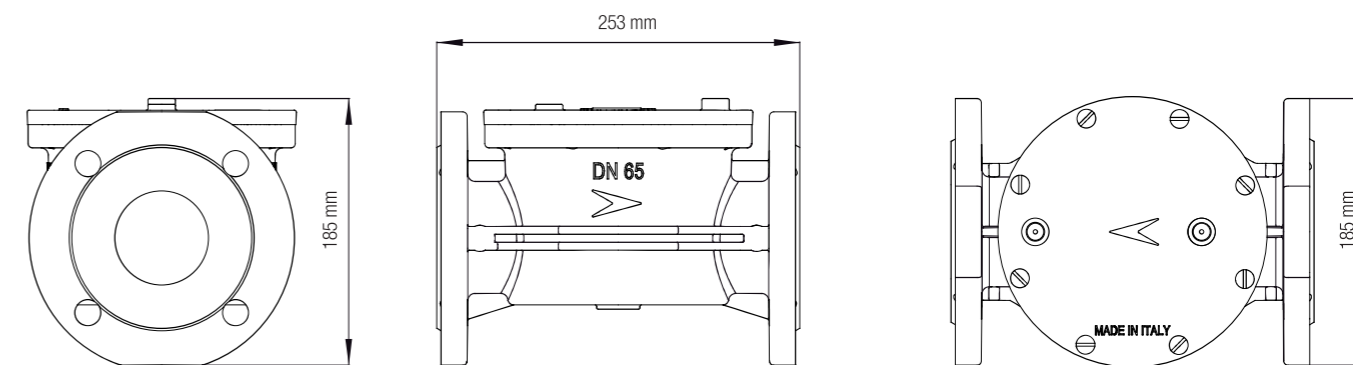
GFD65-SP	Gas filter with screw plugs	DN65	6 bar
GFD80-SP	Gas filter with screw plugs	DN80	6 bar
GFD100-SP	Gas filter with screw plugs	DN100	6 bar

TECHNICAL FEATURES

Operation maximum pressure	6 bar / available version 10 bar
Working Temperature	- 20 °C – + 60 °C
Filtration	50 Micron
Use	Non – aggressive gases – Family 1 – 2 – 3 and air
Cartridge element	Viledon cartridge
Connection	Flanged PN16 – DN65 – DN80 – DN100
Complete Body	Aluminium EN AC 43100
Seals	NBR
Approval	PED

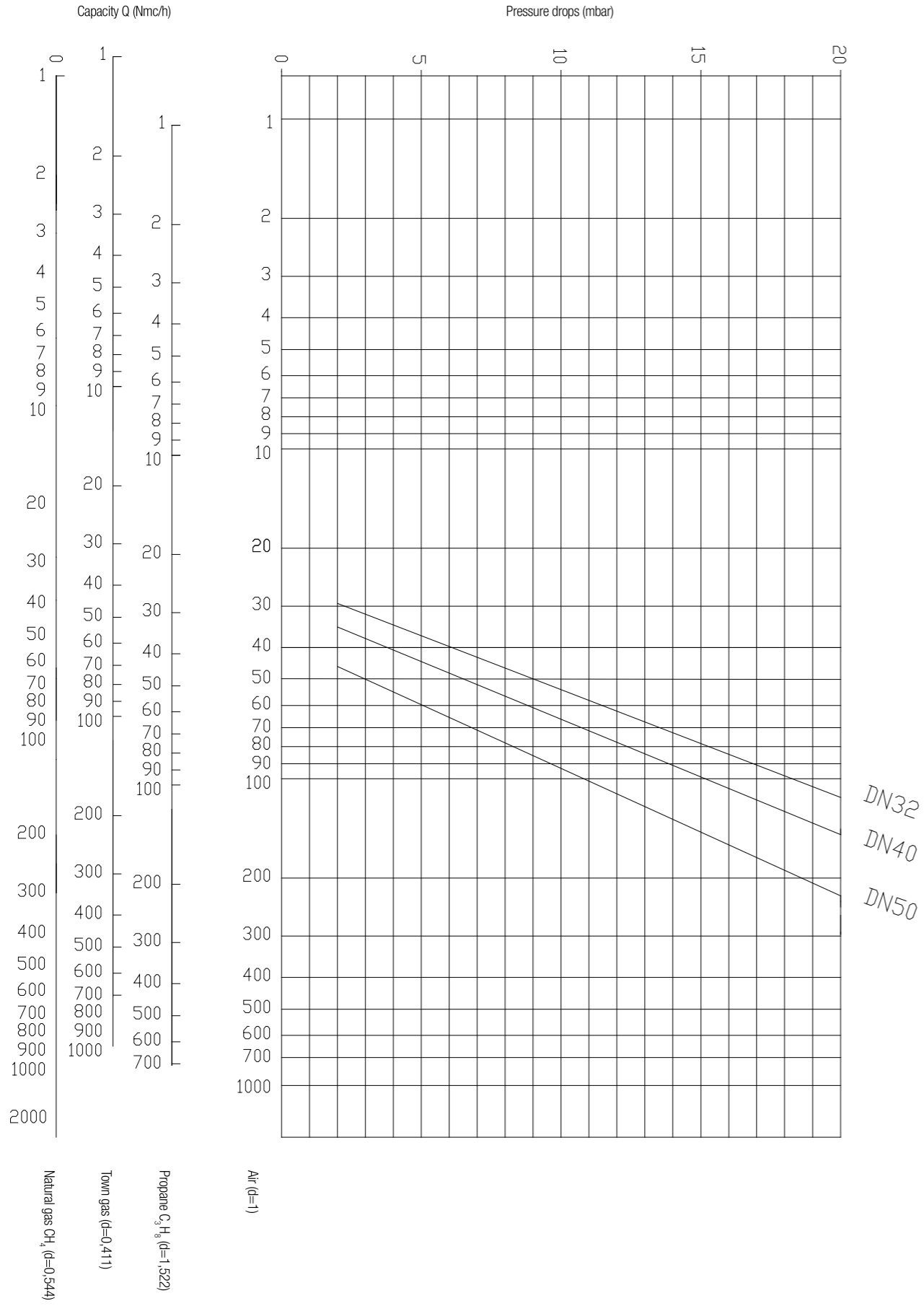
Optional:

- Test point – NPT ¼"
- Screw – NPT ¼"
- Peters plug
- Manometer
- DP clogging indicator



Dimension	DN65	DN80	DN100
WEIGHT (kgs)	8,30	8,30	9,50

GAS FILTER 1 ¼", 1 ½", 2"



GAS FILTER DN65, DN80, DN100

